

For an ergonomic and comfortable sitting: Back rest fitting 140



Individual adjustment of the seat depth in upholstered furniture

- ▶ The back rest fitting 140 is used to adjust back rests horizontally thus providing an ergonomic and individual adjustment of the seat depth in various fine intermediate steps for people of different heights.
- ▶ Suitable for modern, ergonomic sofas that provide adjustment of the seat depth to suit the user and not vice versa
- ▶ Due to the variable adjustment of the seat depth aches and pains such as circulatory problems, cold feet etc. can be reduced
- ▶ Flat, compact and enclosed construction. Therefore it is suitable for upholstered furniture with sleep or storage space function



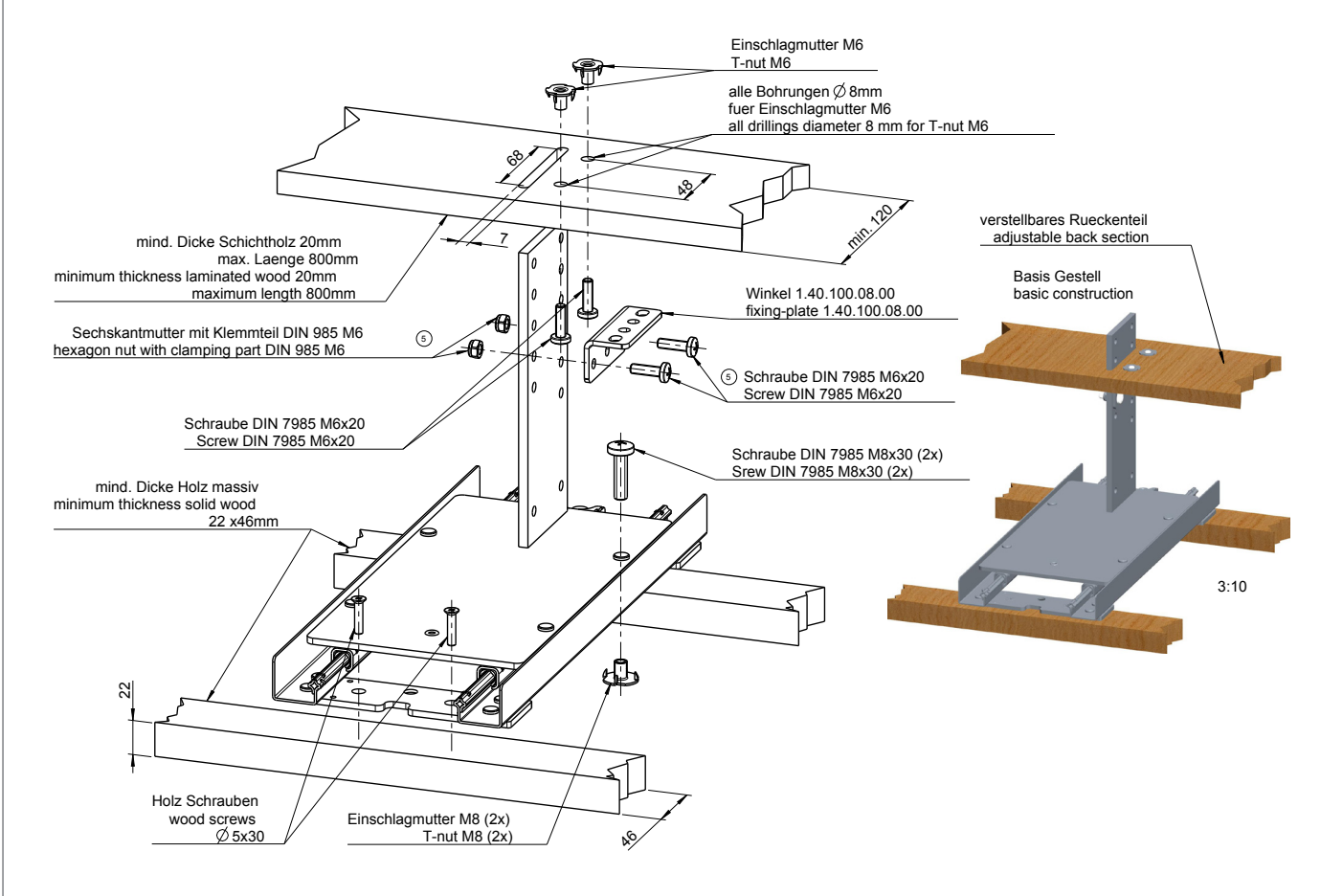
Technical details at one look

- ▶ Easy assembly by means of four screw fixings
- ▶ Smooth running thanks to proven Hettich Quadro runners
- ▶ Precise and individual adjustment by means of 10 notches in Silent Mode
- ▶ Easy Stop function: a perceptible end position prevents the fitting from changing direction unintentionally
- ▶ No need for a swivel movement – adjustment is made horizontally
- ▶ No sharp edges
- ▶ Tested according to RAL GZ 430/4
- ▶ Adjustment area: 140 mm – the fitting leaves no central slot visible

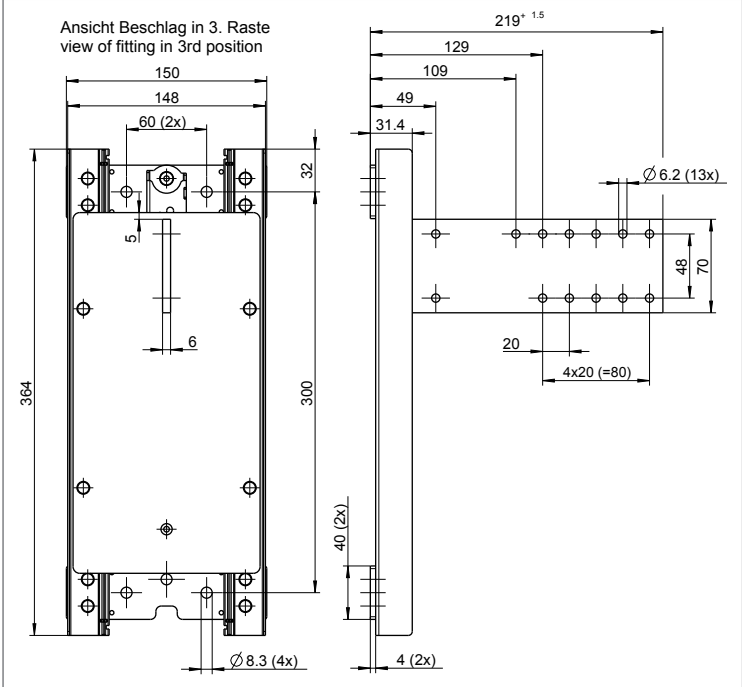
Back rest fitting 140

- ▶ Installation drawing
- ▶ Drawing

Installation drawing back rest fitting 140



Drawing back rest fitting 140



Ref.-No.	Description	Packing Unit
1.49.140.10.00	Back rest fitting 140	30

Remarks

- ▶ Technical details and further variants on request
- ▶ Interfaces with the back section must be coordinated with the customer