

In small quantities, uncomplicated and quickly available.  
**One manufacturer. One system. One product. AxisDrive**



AxisDrive in combination with our approved motor actions for the electric adjustment of beds.

From now on you can get everything from one supplier: **uncomplicated, quickly and in smaller quantities.** No need to compromise.

**Well-known quality from Hettich.**

Please contact us!  
 We are pleased to advise you!

Hettich Franke GmbH & Co. KG  
 Hinter dem Ziegelwasen 6/1  
 72336 Balingen-Weilstetten  
 Phone: +49 7433 3083-0  
 Fax: +49 7433 3083-44

E-Mail: [info@de.hettich-franke.com](mailto:info@de.hettich-franke.com)  
[www.hettich.com](http://www.hettich.com)

**Technical details at one look:**

- ▶ Suitable for boxspring beds
- ▶ High pressure force of max. 2 x 6.500 N
- ▶ Available with handset cable or with radio frequency 2,4 GHz
- ▶ Low electromagnetic radiation from integrated SMPS mains unit
- ▶ Standby power  $\leq 0,5$  W  
 Meets Ecodesign Directive 2009/125/EG
- ▶ TÜV-certified and tested according to DIN EN 1725 and RAL-GZ 430/5
- ▶ Stroke: 87 / 69 mm (head / foot section)
- ▶ Protection class II
- ▶ Emergency lowering capability by means of integrated 9V block battery



AxisDrive in a boxspring bed.



Radio frequency 2,4 GHz with pleasant soft-touch surface or handset cable.

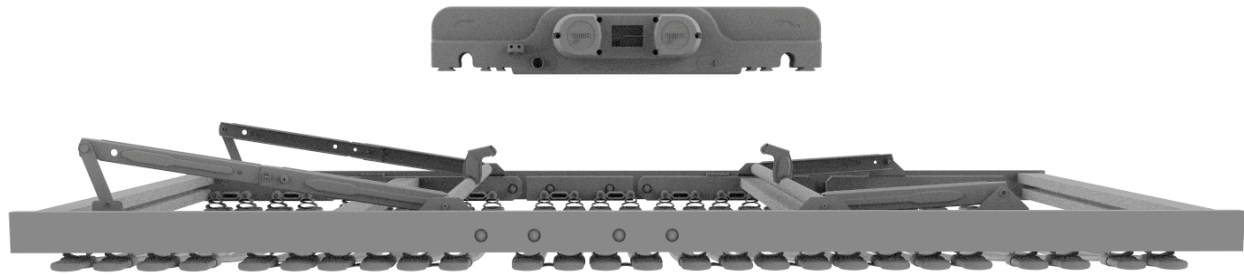


Green mains plug as a symbol for low energy consumption.  
 Nature will be grateful.

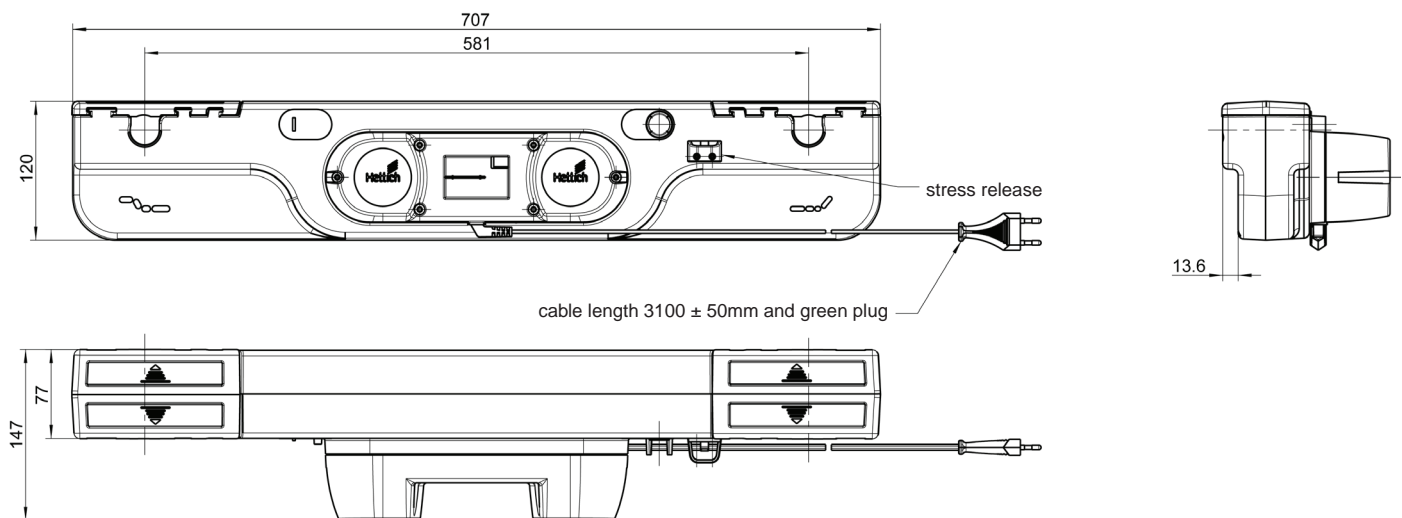
# One manufacturer. One system. One product. AxisDrive

- ▶ Installation
- ▶ Sizes

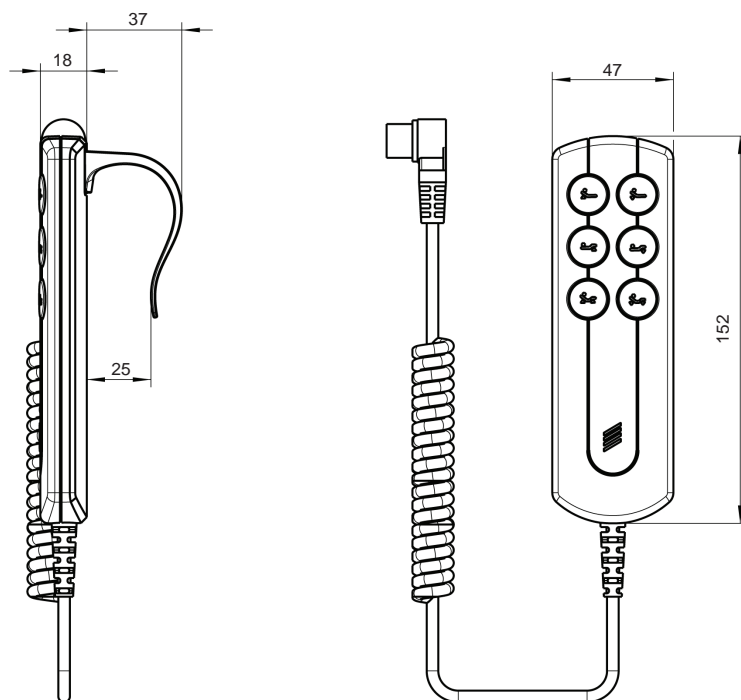
## Assembly



## Sizes AxisDrive



## Sizes handset



## How to order

Ref. No.	Description	Packing Unit
2.64.208.00.20	AxisDrive IPS 6.500 N	30
2.64.001.00.20	Handset with cable	30

Ref. No.	Description	Packing Unit
2.64.208.01.20	AxisDrive IPS RF 6.500 N	30
2.64.001.01.20	Handset RF	30